



RIPPA GROUP

# RO6ECO



Ultra-compact construction machine with excellent accessibility to narrow spaces and stability

# RO6ECO



The feature of **R06ECO**

## Features and Functions



### 1 Front-mounted control lever

The front-mounted operating lever ensures ample space for the feet and around the driver's seat.



### 2 Operation lock button

Machine operation is only permitted when the operating lock is open, enhancing machine safety and preventing accidental operation.



### 3 Fully openable bonnet

Completely destructible, it is convenient to change the fuel system and the fuel system in daily life.



### 4 Cast drive wheel

Forged drive wheels with a hemispherical structure distribute stress concentration and have a longer service life.



### 5 Anti-slip foot

Effectively prevents drivers from slipping and ensures physical stability during operation.



### 6 Light logo

It serves as a warning, making nighttime work safer.



### 7 Display Instrument

It can display the machine's operating time and parameters such as machine temperature.



### 8 LED Light

It is low heat generating and vibration resistant, and comes standard with an LED light.



### 9 Rear boom cylinder

You can work without worrying about damaging the boom cylinder when scooping large stones or concrete pieces with the bucket, loading them into a dump truck, or using an on-board breaker.





High performance of **RO6ECO**  
**ULTIMATE ACCESSIBILITY  
TO NARROW SPACES**



### Compact Body

Compact size. With a width of only 747mm, it can operate in confined spaces such as narrow alleys, indoor buildings, and urban corners. Examples include pipeline renovations in old residential areas and interior decoration work in shopping malls—scenes where large equipment cannot access, allowing it to efficiently complete tasks. The bulldozer blade has been reinforced with ribs for increased strength and lifespan; grease holes have been added to the joint for easier lubrication.

Please extend the crawler when working.



### Engineering rubber tracks

It is ground-friendly, highly protective, provides a smooth ride, low noise, minimal vibration, is lightweight, highly maneuverable, easy to maintain, and has a longer service life under certain operating conditions.



### Can be excavated in narrow spaces

By swinging the work machine, it is possible to excavate in narrow spaces and near walls.

Boom swing angle (right): 70°  
Boom swing angle (left): 70°



High performance of **R06ECO**

**Reliable excavation performance**



### Wide working range

With a maximum reach of 10.1m, the R06ECO offers a wide working range and a high level of flexibility, making it ideal for a variety of applications.

Maximum digging reach  
**2665MM**

Maximum extendable reach  
**1007MM**



### Kubota 2 cylinder engine

Equipped with a high-torque, low-vibration Kubota 2-cylinder engine, it provides powerful digging power.

Engine type: Z482  
Rated power/speed: 8.2kw (11hp)/3000rpm



### Ultra-low noise design

The noise level was very low (less than 92 minutes), and the noise level was low during the night and night construction period in the city area.

## Safety and security design



### Full-Opening Hood & Hood Grip

The fully-opening hood opens wide to the rear. Routine inspections and part replacements of the engine and fuel system are easy.



### Butter tension

It can easily overcome the enormous rigidity of the tracks, providing strong and stable tension to ensure that the tracks will not be too loose under various heavy-duty conditions.



### Towing hook

There is a hook on both sides of the bulldozer blade.



### Rear-mounted boom cylinder

When scooping large stones or concrete pieces with a bucket, loading them onto a dump truck, or using an on-board breaker, you can work without worrying about damaging the boom cylinder.



### Water cooling

Higher heat dissipation efficiency and more precise and stable temperature control.



### LED Light

A low-heat, vibration-resistant LED light is included as standard.



### Comfortable Seats

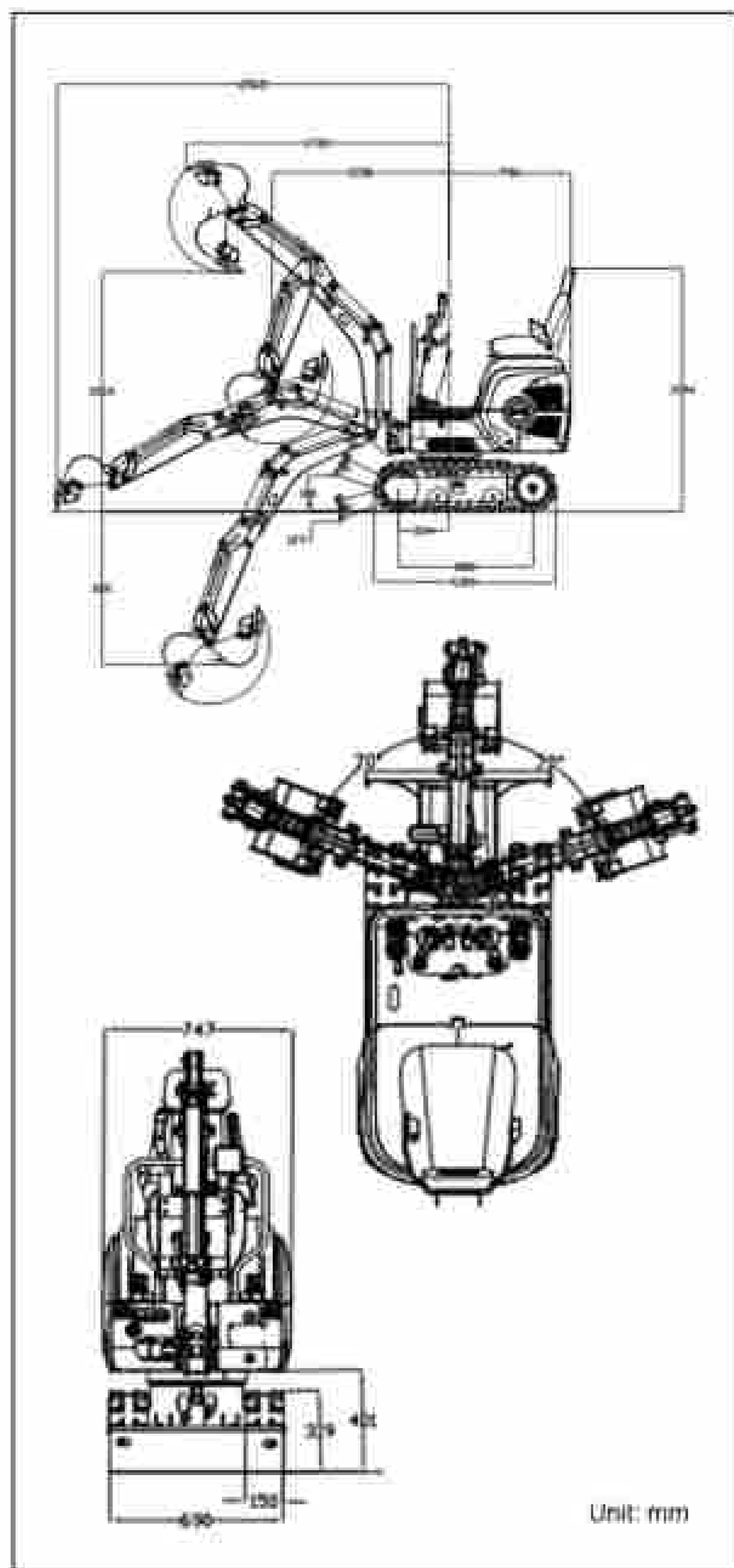
Equipped with seat belts, the seat is adjustable fore and aft, and has removable headrests.



### Storage box

Used for storing instruction manuals and tools.

## ■ SCOPE OF WORK



## ■ SPECIFICATION

	MODEL	US	R06ECO
<b>Basic parameters</b>	Operating weight	1647kg	247kg
	Bucket capacity	0.43M <sup>3</sup>	0.014m <sup>3</sup>
	Travel speed (high)	0-2.0km/h	0.15km/h
	Climbability	30%	30%
	Ground pressure	-	-
	Maximum digging force	20880N	8.2kN
	Maximum digging radius	10.1m	2505mm
	Maximum digging depth	30.4m	1001mm
	Maximum digging height	66.1m	2200mm
	Maximum dumping height	61.3m	1500mm
	Maximum deflection angle	7°	10°
	Track extension range	-	-
<b>ENGINE</b>	Engine brand	Kubota	Kubota
	Engine model	2462	2462
	Maximum horsepower	11Hp	11.2PS
	Maximum power	8.2kW	8.2kW
	Maximum speed	3000rpm	3000rpm
	Displacement	0.15gal	0.470L
	Number of cylinders	2	2
	Cooling method	Water-cooled	Water-cooled
	Engine oil change amount	0.50kg	1.5L
	Fuel form	Diesel	Diesel
	Fuel grade	0#10	0#10
	Theoretical fuel consumption	1.5-1.5L/h	0.8-1.2L/h
<b>Body</b>	Transport length	-	-
	Transport width	-	-
	Transport height	-	-
	Counterweight ground clearance	-	-
	Bucket width	11.8H	300
	Boom length	-	-
	Arm length	-	-
	Bottom plate width	-	-

## ■ HYDRAULIC SYSTEM

Main pump type/model	-
Main pump brand	-
Main pump maximum flow (L/min)	18L/min
Multi-way valve	8-way manual multi-way valve
Multi-way valve brand	Taifeng
Rated set pressure (MPa)	17MPa

Maximum set pressure (MPa)	18MPa
Travel hydraulic motor type	-
Travel motor brand	-
Motor displacement (mL)	1.1
Slewing hydraulic motor type	-
Displacement	1.1

- Please read the instruction manual carefully and operate the machine correctly.
- Always wear a seat belt when working. (ROPS specifications only).
- If you are using construction machinery with a mass of less than 3 tons, you must first complete the "Special Training for the Operation of Vehicle-Mounted Construction Machinery" course. If the machine's mass is 3 tons or more, you must complete the "Skills for Operating Vehicle-Mounted Construction Machinery" course.
- To prevent breakdowns and accidents, be sure to inspect your machinery regularly.
- Specific voluntary inspections must be conducted by an inspection company registered with the Minister of Health, Labor, and Welfare or the Director General of the Labor Standards Inspection Bureau.

# > WE ARE RIPPA

Shandong Rippa Machinery Group Co., Ltd. is located No. 39, Guang'an Road, Liuxing Sub-district Office, High-tech Zone, Jining City, Shandong Province. It is a state-level high-tech enterprise with the right to import and export;

The company's staff are vigorous and enterprising, and constantly create the legend and glory of the Rippa!



**Shandong Rippa Machinery Group Co., Ltd.**

Add: No. 39, Guang'an Road, Liuxing Sub-district Office, High-tech Zone, Jining City, Shandong Province



[www.rippa.com](http://www.rippa.com)

Some specifications are based on engineering measurements and may differ from actual conditions. Specifications are for reference purposes only and are subject to change without notice. Specifications of individual RIPPA equipment will vary based on model, variation in design, manufacturing, operating conditions and other factors. Some pictures of RIPPA equipment are not limited to standard packages.